

For those you loved



Care after life

Human lives are important, even after they are gone. There are times when the burial or cremation of dead bodies is delayed due to emergency situations. Cadavers, in such situations need to be kept in cool condition to prevent bodies from decomposition. That is where the need of mortuary chambers comes in.





Mortuary Chambers

Also known as morgues, mortuary cabinets or mortuary refrigerators, mortuary chambers are a vital part of a hospital's infrastructure. They are also widely used by railways, airports, disaster camps and defence forces as a useful civic amenity.

Trufrost Mortuary Chambers

Trufrost mortuary chambers are low temperature refrigerated cabinets designed to keep dead bodies cool (generally between 0°C to 5°C) for short or long time. These units are widely used at hospitals, railways, airports, disaster camps, defence forces etc. Our standard mortuary cabinets are available in configurations of one, two, four and six chambers.



Models available



TMC-6

Trufrost Mortuary Chamber TMC-6
For storage of 6 body trays in 2 levels



TMC-4

Trufrost Mortuary Chamber TMC-4
For storage of 4 body trays in 2 levels



TMC-2

Trufrost Mortuary Chamber TMC-2
For storage of 2 body trays in 2 levels





TMC-1

Mobile Single Body Mortuary

Trufrost TMC-1 is a single body mortuary that finds applications in not just hospitals and similar institutions but also homes where the last rites are delayed for some reason. This comes with strong castors for ease of mobility and two glass lids on the top.



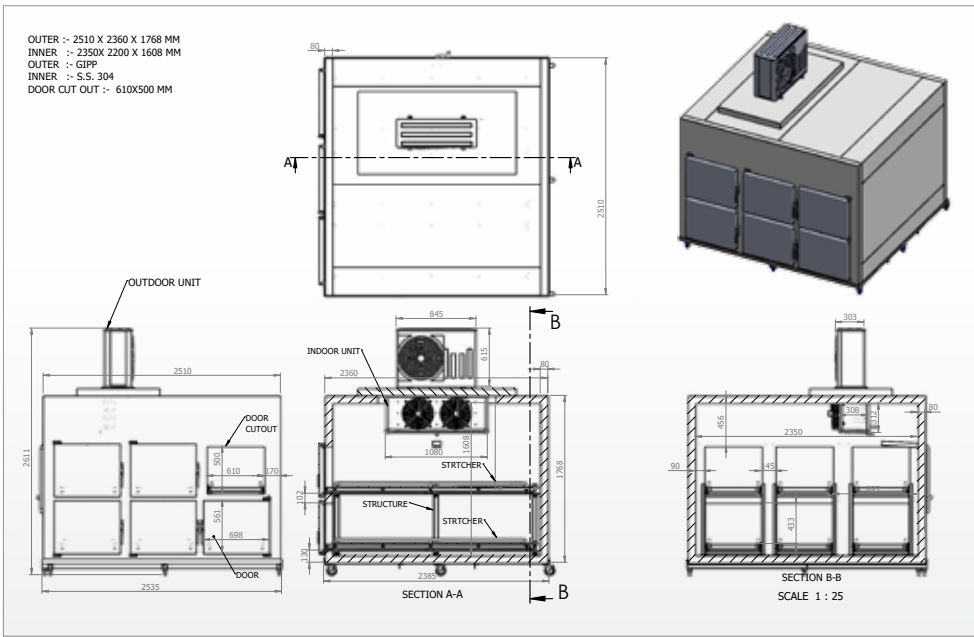
Key features:

- ◆ Energy efficient & environment friendly cooling system
- ◆ 80mm, CFC-free cyclopentane insulation
- ◆ Specially designed to ensure hygiene
- ◆ Easy to clean and maintain
- ◆ Tropicalized for tough weather conditions
- ◆ Micro-processor based controller with digital temperature display
- ◆ Vapour proof lighting
- ◆ Corrosion resistant exterior and interior:
 - ◆ Exterior: pre-coated GI sheet
 - ◆ Interior construction: SS304; hot dipped MS structure with SS trays
- ◆ Individual lock and key for each door
- ◆ Strong casters for ease of mobility

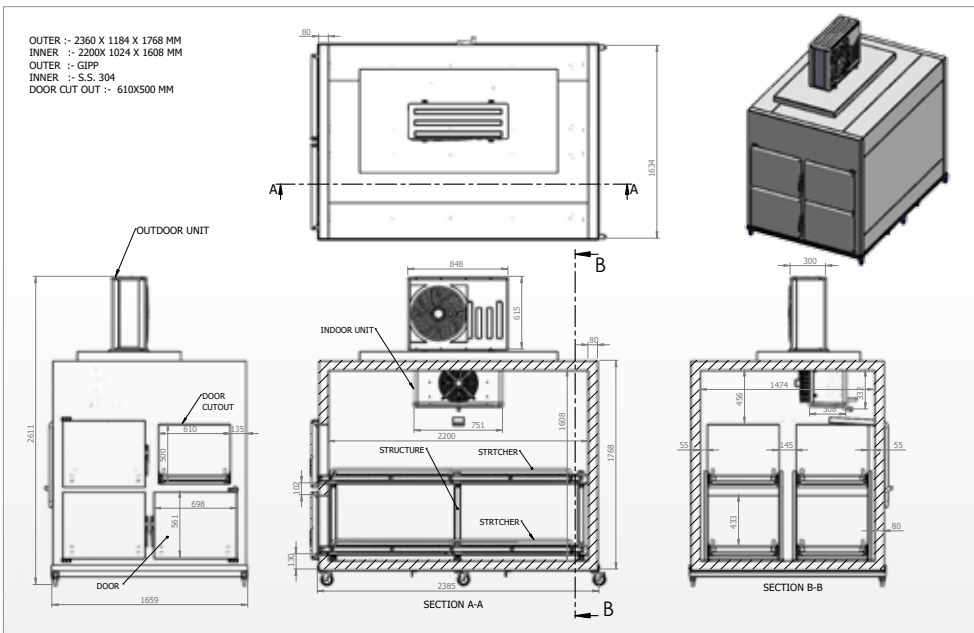


Line Drawings

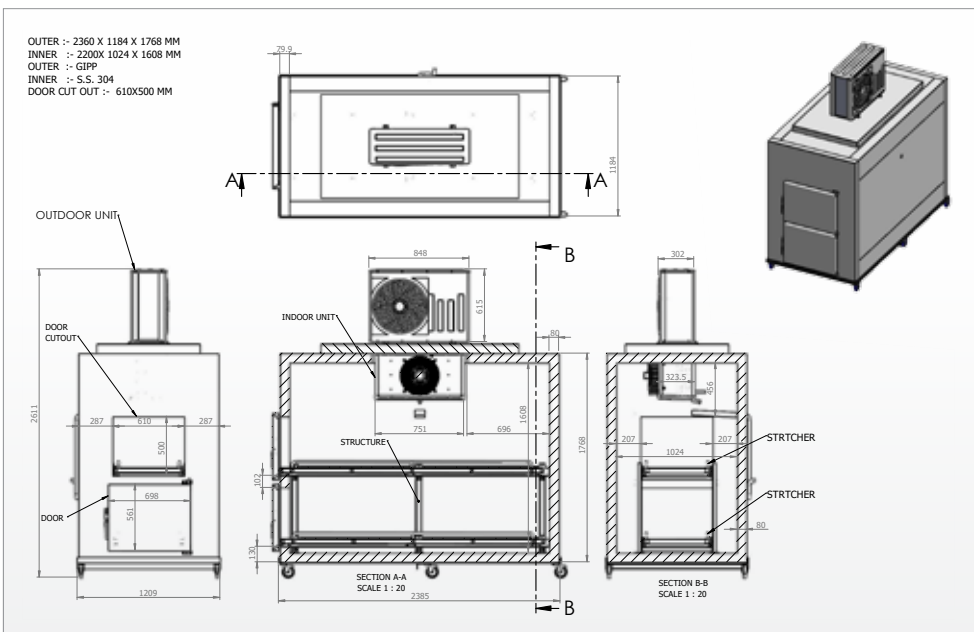
TMC-6



TMC-4



TMC-2





Technical Specifications

Model	Body Capacity	Doors	Door (WxH)	Width	Depth	Height	Height with Cooling Unit	Cooling System	Temperature Range
TMC-6	6	6	610x500	2535	2360	1768	2611	Forced Draft	0-5°C
TMC-4	4	4	610x500	1768	2360	1768	2528	Forced Draft	0-5°C
TMC-2	2	2	610x500	1184	2360	1768	2528	Forced Draft	0-5°C
TMC-1	1	1	610x500	737	2360	660	-	Static	0-5°C

Voltage: 220-240V/50Hz

All dimensions in mm

Specifications are subject to change without prior notice due to continuous product development



TRUFROST COOLING PVT. LTD.

Corporate Office: 1214 & 1215, 12th Floor, Tower B, Emaar Digital Greens,
Golf Course Extn. Road, Sector 61, Gurugram - 122011, India

Tel: +91-124-4246560 **Email:** info@trufrost.com **www.trufrost.com**

UAE: +971-55-676-1323, **Email:** middleeast@trufrost.com



Andhra/Telangana : 9319391543, 9930093078
Assam/North-East : 9319391542
Chhattisgarh : 7303890590
Delhi/NCR : 8448759200, 8448445701
Goa : 7303890582
Gujarat : 9116116765

J & K / Himachal : 8448319200, 9319399772
Karnataka : 7303890588, 9319399771
Kerala : 7303890587
Maharashtra : 7303890586
Mumbai : 7303890582, 7303196614
Orissa : 7303890590

Punjab / Haryana : 8448319200, 9319399772
Rajasthan : 9116116765
Tamilnadu : 7303890587
UP/MP : 7303196607, 9319399770
Uttarakhand : 8448319200, 9319399772
West-Bengal/Bihar : 7303890590

Reach-in Cabinets • Undercounter Refrigeration • Blast Freezers • Ice Cubers • Flake Ice Machines • Wine Coolers • Wine Walls • Back Bars • Bottle Coolers • Draught Beer Systems
Soft Serve Freezers • Granita Dispensers • Juice Dispensers • Hot Chocolate Dispensers • Confectionery Display Cases • Chest Freezers & Coolers • Minibars • Multideck Chillers
Deli Counters • Visi Coolers • Visi Freezers • Walk-in Coldrooms • Cold Storages • Pre-Coolers • Ultra Low Freezers • Pharmacy Freezers & Coolers • Blood Bank Refrigeration • Mobile Coolers
Air Sanitisers • Crockery & Cutlery Sterilisers • UV Warm Wipe Sterilisers • Ozone Fruits & Vegetables Disinfectors • Foot Press Water Dispensers



www.trufrost.com