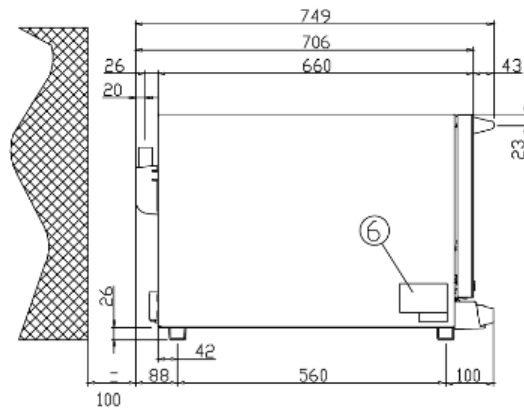
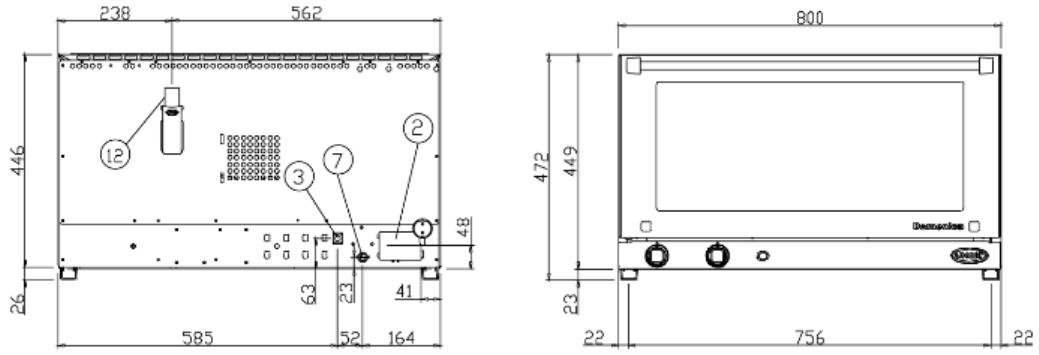


# DOMENICA (Manual) XF043

ELECTRIC



|            |                       |
|------------|-----------------------|
| capacity   | 4 600x400             |
| distance   | 70 mm                 |
| frequency  | 50 / 60 Hz            |
| Voltage    | 230 V~ 1N / 400 V~ 3N |
| power      | 3,2 kW / 5,3 kW       |
| Dimensions | 800x472x706 mm        |
| weight     | 44 kg                 |



■ :Standard   □ :Optional   - :Not available

## BAKING MODES

Convection baking 30 °C - 260 °C

■

## AIR DISTRIBUTION IN THE BAKING CHAMBER

AIR.Plus technology: fan with reversing gear on models 600x400 only

■

## CLIMA MANAGEMENT IN THE BAKING CHAMBER

DRY.Plus technology: high performance moisture and humidity extraction

■

## PANS

Flat aluminum pans (only for 460x330 and 342x242 models)

■

## AUXILIARY FUNCTIONS

Protek.SAFE™ technology: maximum thermal efficiency and working safety (cool door glass and external surfaces)

■

Visualisation of the residual baking time

■

Continuous functioning «INF»

■

Visualisation of the set and real temperature values in the oven chamber

-

Temperature unit that can be set in °C or °F

-

## DOOR OPENING

Manual door opening from top to bottom

■

## TECHNICAL DETAILS

Rounded baking chamber made of high resistant ferritic steel for hygiene and ease of cleaning

■

Baking chamber lights

■

Light weight – heavy duty structure using innovative materials

■

Proximity door contact switch

■  
(XF043)

Auto-diagnosys system for problems or brake down

-

Safety temperature switch

■